

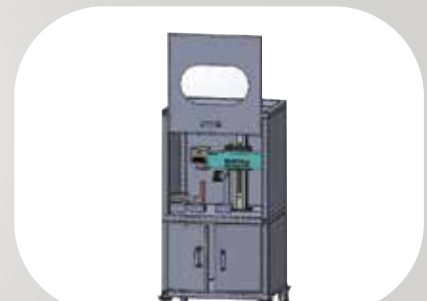
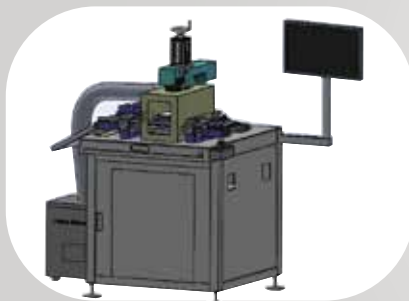
LASER MARKING MACHINE

MAPTECH

LEADERS IN MARKING AND TRACEABILITY SOLUTIONS



CUSTOMISED LASER WORKSTATION WITH CLASS 1 LASER ENCLOSURE



 www.maptechincorp.com

 sales@maptechincorp.com

MAPTECH offers Permanent Marking Solutions using LASER Technology. The ergonomics and size of the MAPTECH MFL-Series laser range have been designed to be easily usable in workshop.

MAPTECH LASER Devices are equipped with Fibre Technology which allows to mark quickly, precisely on various materials. They are mainly used for marking medium series at high speed, for deep or light engraving, for decoration and identification for the traceability of any part.

- MAPTECH helps you build a laser marking workstation perfectly suited to your application and under competitive conditions.
- MFL-Series LASER Markers can mark mostly all metals using the laser processes of Engraving.
- MFL- Series available in wide range 20 / 30 / 50w.
- MFL Series of Laser Marker are mostly used in Major Automotive Industries for VIN Label Etching System.
- MFL Series Laser Marker are used to Mark Serial Number, Part Number, Logo, DataMatrix, QR Code.
- MFL Series Laser with I/O Port for External Print/ Abort / PLC Input.
- Customised Software also available for Marking as per Customer Requirement.



MACHINE PARAMETER

The Average Output Power	20W / 30W / 50W
Laser wavelength	1064nm
Beam Quality	M2:1.5
Frequency	20KHz-80KHz
Repetitive Accuracy	0.005mm
Min Linear Width	0.01mm
Marking Depth	0.01-0.2mm
Max Speed	7000mm/s
Standard Marking	100*100mm (OPTIONAL 150X150)
Consumed power	<500W
Power Supply	220V/50Hz
Cooling system	Air cooling



* All specifications subject to change at any time.

Contact Details :

MAPTECH Incorp

VGP Victory House , No.17, Anna Salai, Mount Road,
Chennai - 600 002, Tamil Nadu, India.

P : 91-44-28551245, 43558449, 45566261

M : +91 9841084449 F : 44-43558449

 www.maptechincorp.com



Distributor

Branches : Chennai, Mumbai, Pune, Ahmedabad

Designed & Printed : SAROJA PRESS, 044 2484 2246 / +91 94451 05404